

Kanvaslight 100 ®

User manual



➤ **Planned use:**

This product was designed to provide leisure lighting in the naval leisure craft environment. The product must only be used:

- under adult supervision.
- only with the accessories provided in the package.
- It is not a navigation light or a certified signal light.

○ **Package contents:**

- Light injector.
- Illuminating weaving.
- User manual.

○ **Precaution for use:**

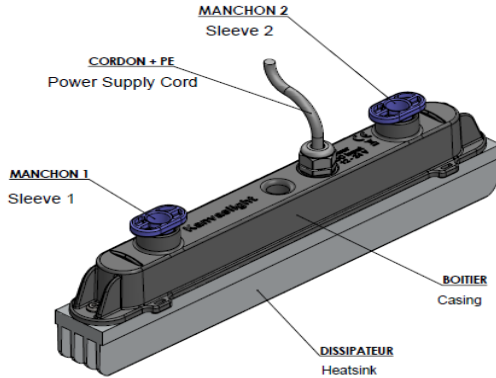
- Handle with care by hand.
- Do not allow anything to fall onto the lighting surface or the strands.
- Do not fold the canvas and/or the strands: minimum permissible radius of curvature 25 mm.
- Do not allow the canvas to come into contact with sharp objects and/or sharp edges.



guardtex

GUARDEX
18 rue de Govéan
56370 Sarzeau
FRANCE

○ **Description of the light injector:**



Sleeves 1 and 2 are fitted directly on the light fibres of the illuminating weaving. They are inserted into the two slots at the top of the box.

General safety instructions:

For safety and certification reasons (UL Listed), any conversion and/or modification of the product is prohibited.

The product could be damaged if used for any purpose other than that previously described.

In addition, incorrect use could lead to risks such as short-circuiting, fire, electrocution or bodily injury. Read the user manual carefully before using the product and store it in a safe place for future use. The product must only be provided to third parties if accompanied by its user manual.



When you use an electrical device, respect the basic safety precautions to reduce the risk of fire, electric shock and bodily injury.



This product is not a toy. Keep it out of the reach of children and away from pets.

Protect the product from extreme temperatures, direct sunlight, high humidity, water, flammable gases, vapours and solvents.

If the product cannot be used in complete safety, stop using it and make sure it cannot be used accidentally. Safe use is no longer guaranteed if the product exhibits signs of visible damage, if it no longer functions as it should do, or if it has been stored for a prolonged period of time under unfavourable conditions.

Handle the product with care. After any shocks, knocks or falls, even from a low height, the device could be damaged.

Position the cable(s) to avoid the possibility of a person tripping on them or being caught by them, which could result in risks of injury or falling overboard.

➤ **Instructions for installation on board:**

Kanvaslight® equipment must be installed:

- By a qualified installer having a good knowledge of standards applicable in naval leisure craft. (see Std ABYC-E-9-1998).
- Away from sources of heat (engine, exhaust, radiator, powerful lighting).
- Above the bilge water level and protected from big waves.
- Firmly, using 5 mm wide ties.



guardtex

GUARDEX
18 rue de Govéan
56370 Sarzeau
FRANCE

- So as not to obstruct vertical or horizontal visibility from the main helm station in any way.

- So as not to obstruct the visibility of the certified navigation lights.

The **Kanvaslight®** lighting control unit must be clearly and explicitly marked.

Do not forget to complete the boat Owner's Manual.

➤ **Electrical safety instructions:**

The **Kanvaslight®** light injector must be installed:

- By a qualified electrician having a good knowledge of standards applicable in naval leisure craft.

- Using the certified power supply cord delivered with the equipment.

- The wiring standards applicable in the country of installation must be respected.

Before any connection for use of the **Kanvaslight®** light injector, make sure that the VLV circuit is not powered up (control unit and protection cut-off unit set to Off) and that the boat battery is not connected to a mains charger.

A) If a 12 VDC battery is used, the **Kanvaslight®** light injector must be connected to a battery circuit fitted with a control unit and a protection cut-off unit (see technical data):

Black wire = 0 V, White wire = +12 VDC.

B) If a 24 VDC battery is used, the **Kanvaslight®** light injector must be connected to a battery circuit fitted with a control unit and a protection cut-off unit (see technical data):

Black wire = 0 V, White wire = +24 VDC.

➤ **Instructions for use:**

Before using the **Kanvaslight®** light injector, make sure that the two optical outputs are connected to the illuminating weaving.

Never stare into the optical outputs not connected to the illuminating



guardtex

GUARDTEx

18 rue de Govéan

56370 Sarzeau

FRANCE

weaving, risk of overexposure.

Do not leave the equipment powered up without adult supervision.

➤ **Installation and removal:**

See Installation manual.

➤ **Servicing and troubleshooting:**

Always disconnect the **Kanvaslight®** light injector before any technical work or cleaning.

Repairs must only be carried out by a qualified technician using original spare parts.

If the device power supply cord is damaged, disconnect it immediately from the battery supply, prevent it from being used by another person and have it replaced by a special cord available only from the manufacturer.

➤ **Technical data:**

Illuminating weaving:

- Polymer optical fibre canvas based on Lightex technology.
- Overall dimensions 1500 mm x 230 mm (59 in x 9 in).
- Light dimensions 1100 mm x 200 mm (43 in x 8 in).
- Minimum radius of curvature: 25 mm (1 in).
- Weight 160 g (0,35 lb).

Light injector:

- Power supply 12 VDC 1.2 A i.e. power less than 15 W,
or
- Power supply 24 VDC 0.6 A i.e. power less than 15 W.
- Inrush current < 10 A during 1msec.
- Light intensity: 650 lm, Warm white 3000 K.
- IP X6.
- Weight 500 g (1.10 lb).



guardtex

GUARDEX

18 rue de Govéan

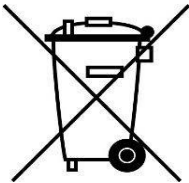
56370 Sarzeau

FRANCE

- Dimensions L 250 mm – H 90 mm - W 40 mm (L 9,8 in – H 3,5 in - W 1,6 in).
- Operating temperature: 0 °C to 30 °C (32 °F to 86 °F).
- Storage temperature: 5 °C to 40 °C (41 °F to 104 °F).
- Power supply cord length 0.30 m (12 in).
- 2 holes for 5 mm (0,2 in) ties.

➤ **Environmental protection:**

Electrical products must not be disposed off with domestic waste. They must be recycled in the collection points planned for this purpose. Contact the local authorities or your dealer for recycling instructions. Please recycle the package in the collection points planned for this purpose.



Made in France by GUARDEX
18 rue de Govéan
56370 Sarzeau.
France

web: <https://kanvaslight.com/>